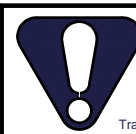
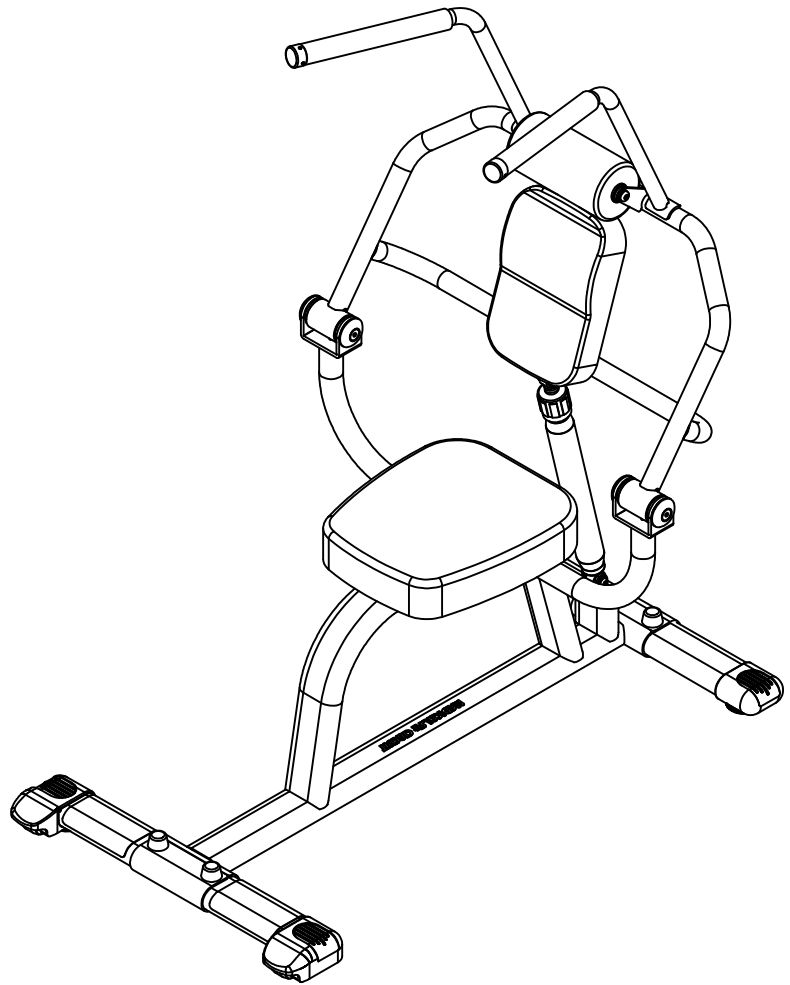


SteelFlex



The Surgeon General
has determined that lack
of physical activity is
detrimental to your health.™

Trademark of United States Fitness Products Council

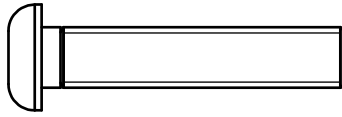
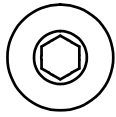
THERE IS A RISK ASSUMED BY INDIVIDUALS WHO USE THIS TYPE OF EQUIPMENT. TO MINIMIZE RISK, YOU MUST FOLLOW THESE RULES:

1. Inspect equipment before each workout. Check that all nuts, bolts, screws and pop pins are in place and fully tightened. Also, before use, check cylinders for leaking. Replace all worn parts immediately. Never use machine if any parts are damaged or missing. Failure to follow these rules may result in serious injury.
2. Keep clear of the cylinder and all moving parts when the machine is in use.
3. Exercise with care. Perform your exercises at a smooth moderate pace; never perform jerky or uncoordinated movements that may cause injury.
4. It is recommended that you should workout with a training partner.
5. Do not allow children or minors to play on or around this equipment.
6. If unsure of proper use of equipment, call your local distributor.
7. **WARNING:** Consult your physician before starting your exercise program. For your own safety do not begin any exercise program without proper instruction.

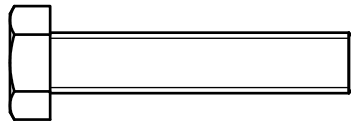
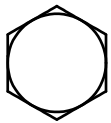
CAB-1000 OWNER'S MANUAL

CAB-1000 ASSEMBLY INSTRUCTIONS

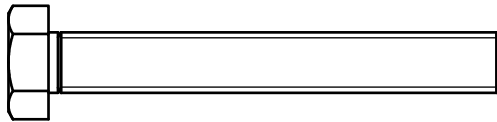
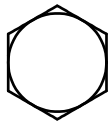
HARDWARE ILLUSTRATION



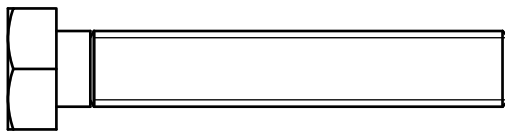
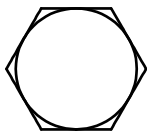
(A1)ROUND INNER HEX SCREW M8X40L PARTIAL QTY.2



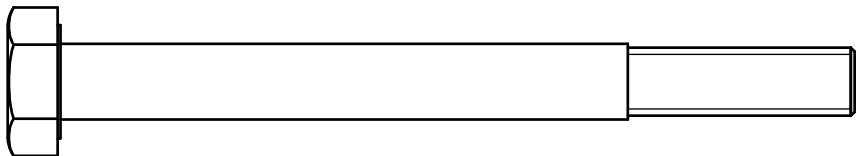
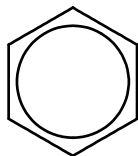
(A2)HEX BOLT M8X40L PARTIAL QTY.2



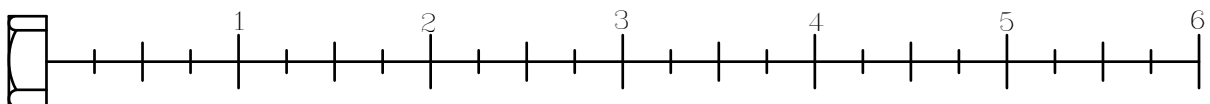
(A3)HEX BOLT M8X60L PARTIAL QTY.2



(A4)HEX BOLT M10X60L PARTIAL QTY.4

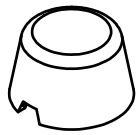


(A5)HEX BOLT M10X105L PARTIAL QTY.2



CAB-1000 ASSEMBLY INSTRUCTIONS

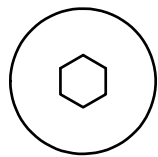
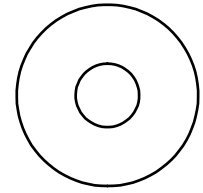
HARDWARE ILLUSTRATION



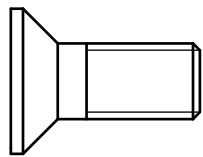
(A6) BOLT CAP (9212-024) QTY.4



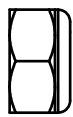
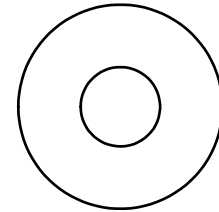
(C2) M8 (I.D.) FLAT WASHER Ø24 QTY.4



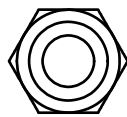
(A7) M10X25L SOCKER FLAT SCREW QTY.4



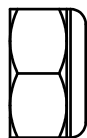
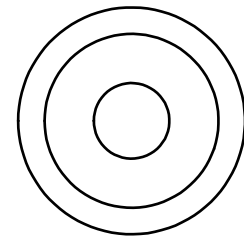
(C3) M10 (I.D.) FLAT WASHER Ø27 QTY.8



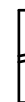
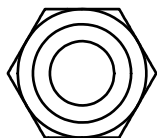
(B1) M8 NYLON LOCK NUT QTY.2



(C4) 3/8" ROUND END CAP WASHER QTY.4



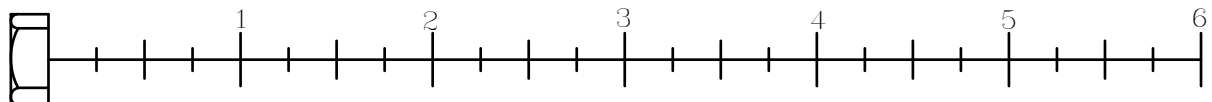
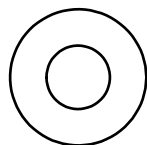
(B2) M10 NYLON LOCK NUT QTY.6



(C5) M8 SPRING WASHER QTY.4



(C1) M8 (I.D.) FLAT WASHER Ø18 QTY.4

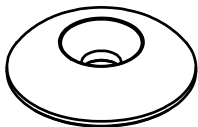


CAB-1000 ASSEMBLY INSTRUCTIONS

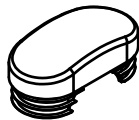
HARDWARE ILLUSTRATION

(D1)Ø50X10 END COVER(8130-131)	-----	[4PCS]
(D2)40X80 END CAP(9211-113)	-----	[1PCS]
(D3)Ø60X42H DECK BUFFER(9214-037)	-----	[2PCS]
(D4)40X80 ROUND END CAP(9261-070)	-----	[2PCS]
(D5)40X80 FOOT CAP(9261-071)	-----	[1PCS]
(D6)40X80 FOOT CAP(9261-072)	-----	[1PCS]
(D7)95X140L RUBBER PAD(9630-003)	-----	[2PCS]

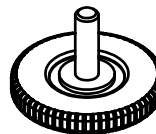
D1.



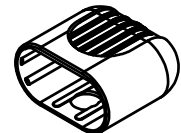
D2.



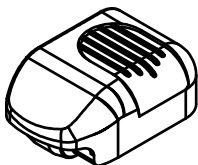
D3.



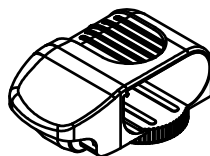
D4.



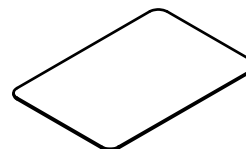
D5.



D6.



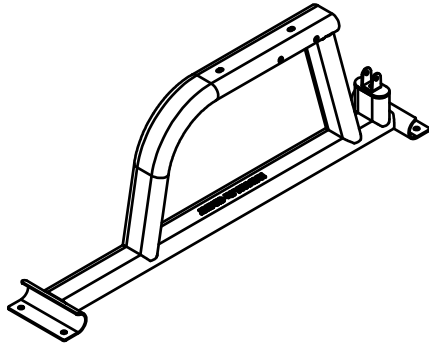
D7.



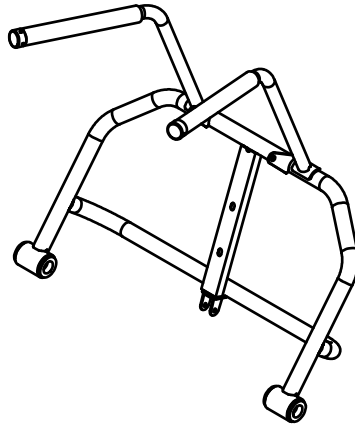
CAB-1000 ASSEMBLY INSTRUCTIONS

PARTS ILLUSTRATION SHEET

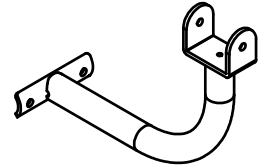
A[1SET]



B[1SET]

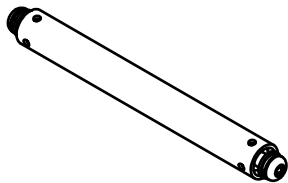


C[2SET]



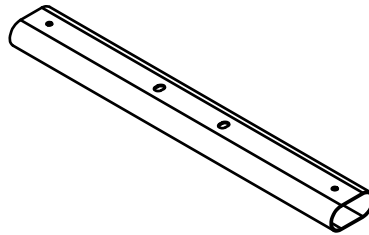
D[1SET]

6640-004 Ø25.4X219L



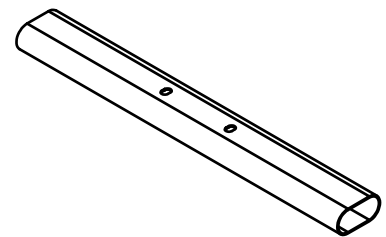
E[1PCS]

5584-K007 40X80X2tX600L



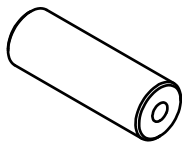
F[1PCS]

5584-K008 40X80X2tX600L



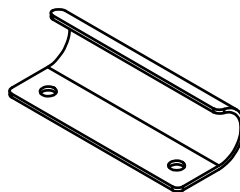
G[2SET]

8220-148 Ø25.4X73.5L



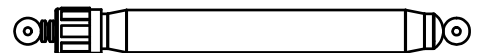
H[2PCS]

8386-101



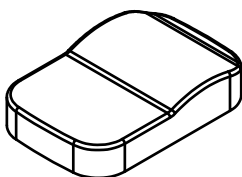
I[1PCS]

8830-017



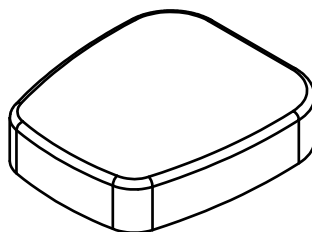
J[1PCS]

9111-066



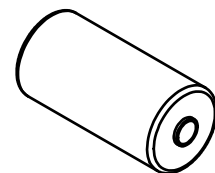
K[1PCS]

9121-064

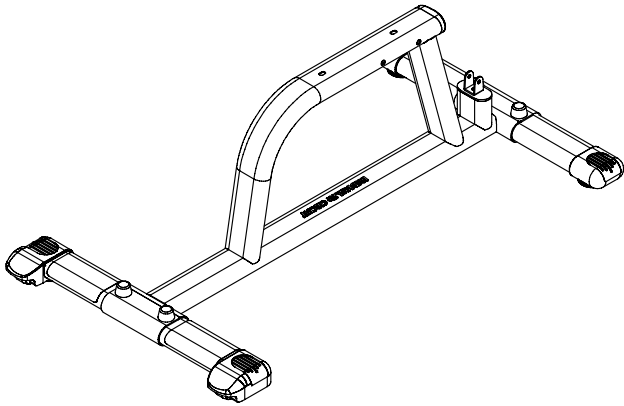


L[1PCS]

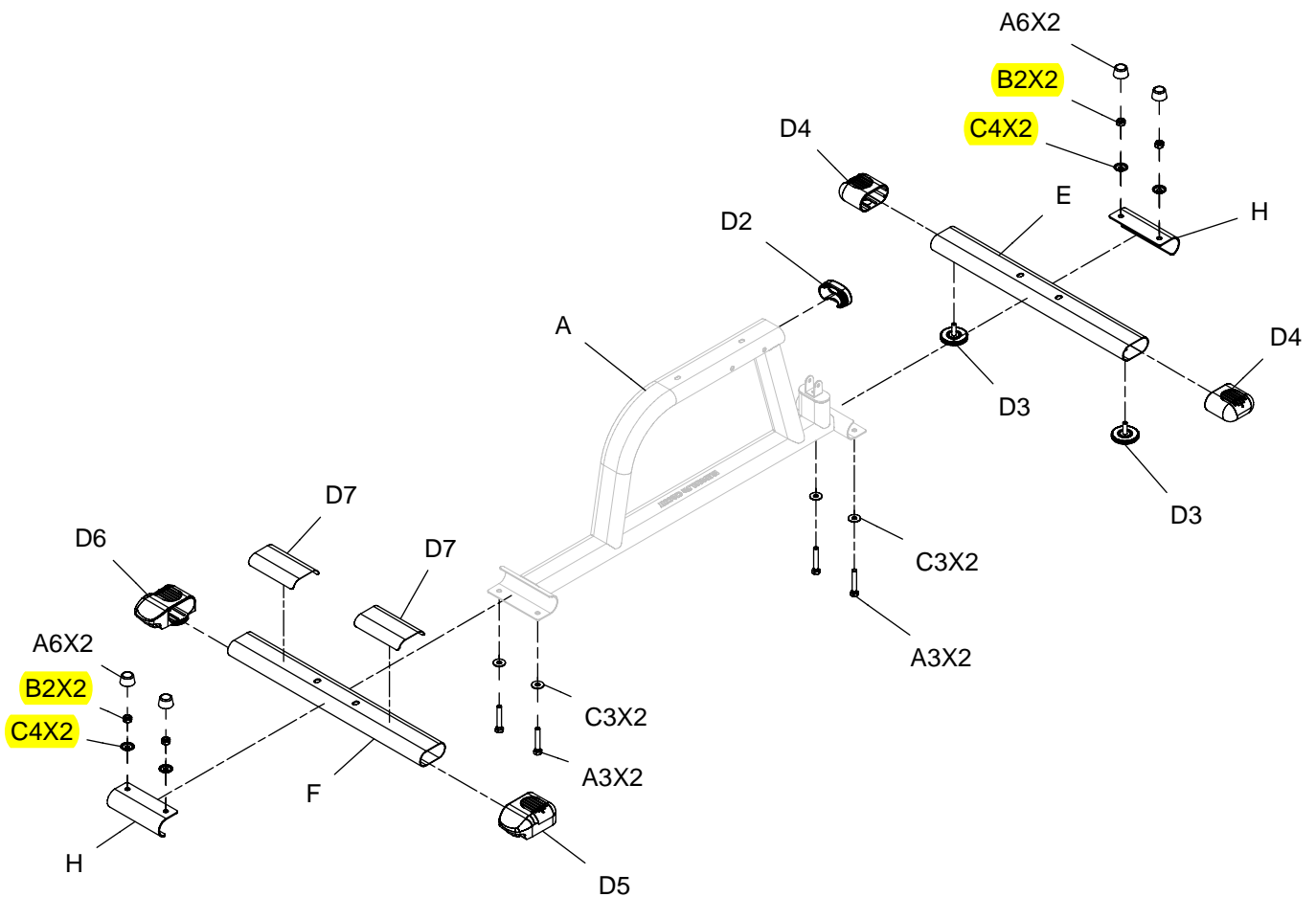
9161-049 Ø4"X210L



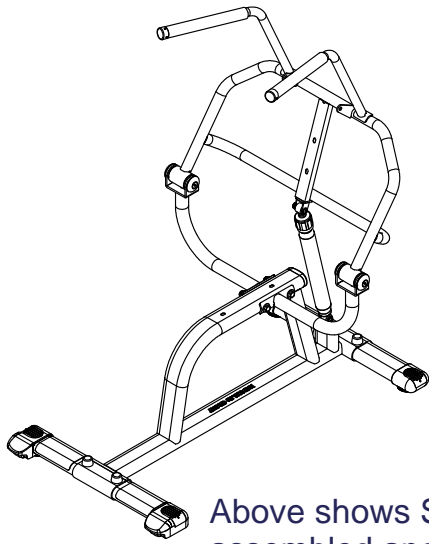
CAB-1000 ASSEMBLY INSTRUCTIONS



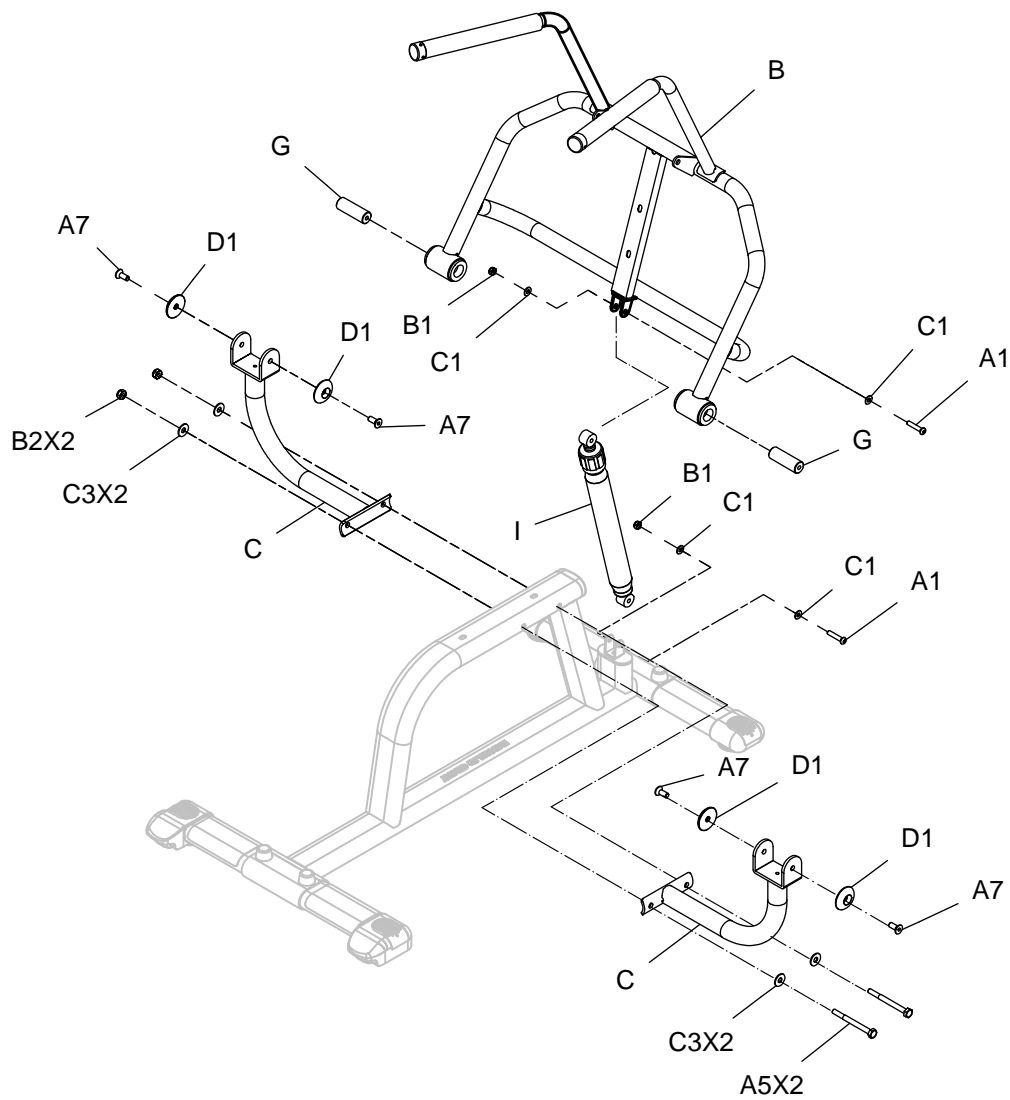
Above shows STEP1
assembled and completed



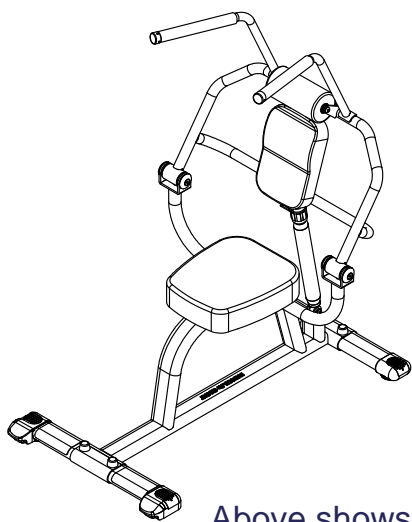
CAB-1000 ASSEMBLY INSTRUCTIONS



Above shows STEP2 assembled and completed



CAB-1000 ASSEMBLY INSTRUCTIONS



Above shows STEP3 assembled and completed

